

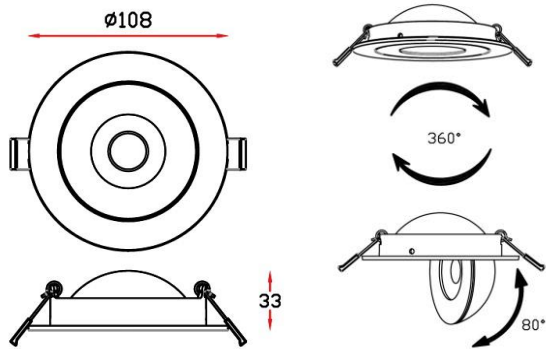
# PHL LED DOWNLIGHT



## PHL10X8 DIMMABLE

Nest LED in five colours

- Voltage: AC 240V, 50Hz
- Power: 8W
- Beam Angle: 45°
- Hole Cutout: Ø90 mm
- LED CRI: >80
- Average Life: 40000 hours
- Three years replacement warranty



Dimmable with trailing edge dimmer. Recommend to use with CLIPSAL Trailing Edge or Universal Dimmer.

IC-4

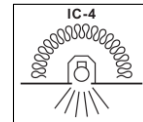



PHOTO	MODEL NO.	FITTING FINISH	LED CCT	LUMINOUS FLUX
	PHL10X8/BK/QC	Black	2700K	680lm
			3000K	760lm
			4000K	850lm
			5000K	840lm
			6000K	780lm